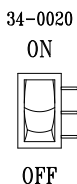
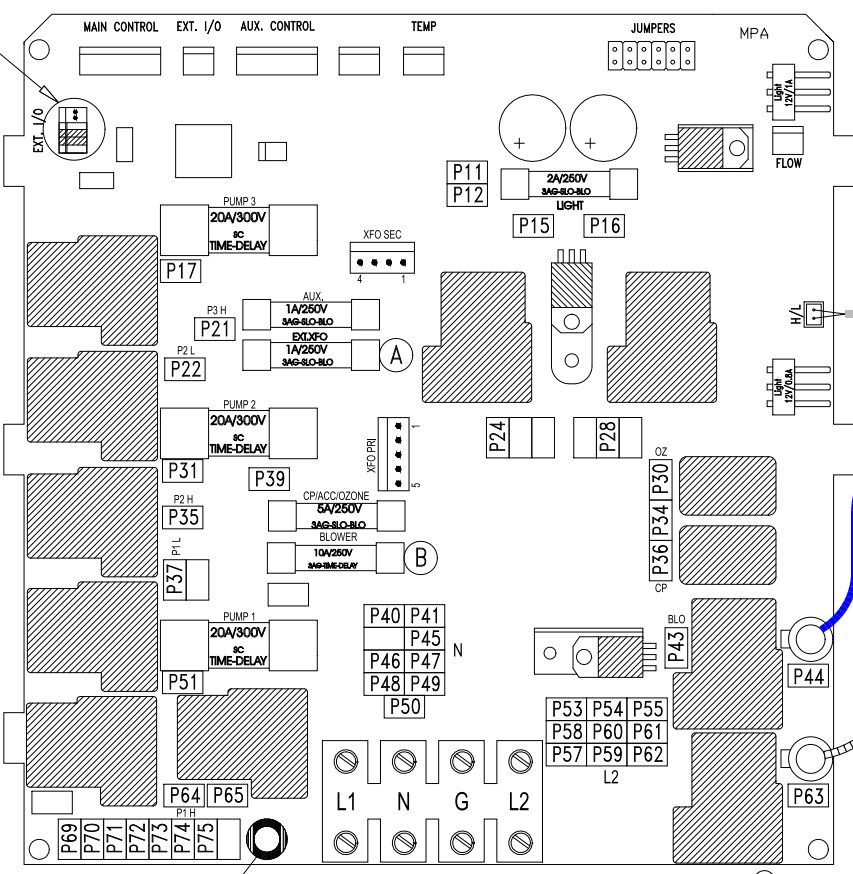


High-Limit LED must be installed as shown (lower 4 pins)

12V Light (White 2-Pin)



33-0025A-R6



**SYSTEM FUSE**

RED INDICATOR LIGHT

**HIGH-LIMIT**

RED INDICATOR LIGHT

**PUMP 1 FUSE**

RED INDICATOR LIGHT

**PUMP 2 FUSE**

RED INDICATOR LIGHT

**AIR BLOWER FUSE**

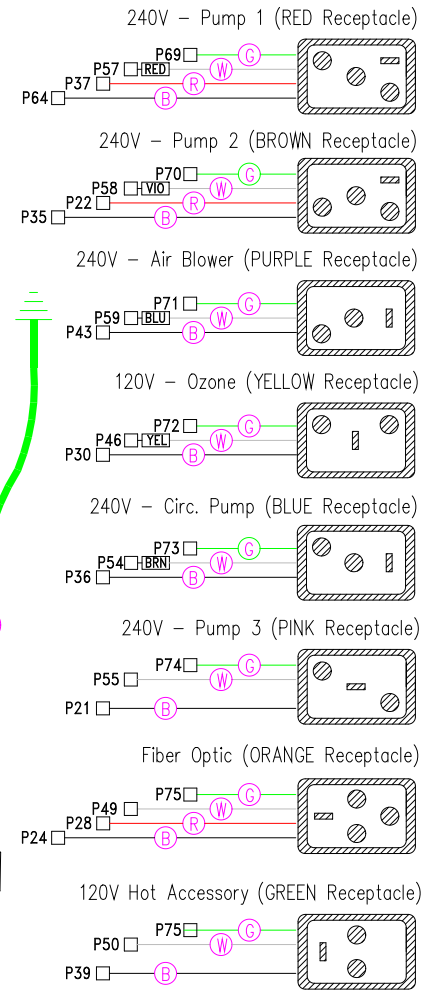
RED INDICATOR LIGHT

**PUMP 3 FUSE**

RED INDICATOR LIGHT

**OZON/CIRC. FUSE**

RED INDICATOR LIGHT



LEGEND	
	- 1/4" QUICK CONNECT
	- 1/4" PIGGYBACK
	- FORK CONNECTOR
	- RING CONNECTOR
	- SOCKET CONNECTOR
	- PIN CONNECTOR
Wire Color Code	
B - Black	G - Green
Br - Brown	Bl - Blue
R - Red	V - Violet
O - Orange	W - White
Y - Yellow	Gr - Gray

**HYDRO-QUIP**  
CORONA, CA (909) 273-7575

Manufacture Notes:

Approved By:

Dwg. No.  
**DS22110-DKMPQY**

Drawn  
BH

Rev  
3

Dual Heater Connection: Standard Heater Connected at Factory.

For Remote Heater: Disconnect Factory Installed Heater at 9-Pin Connection. Install Remote Heater Bracket and Secure 9-Pin Receptacle. Connect Remote Heater Externally.

Date  
12.04.03

Diagram No.  
**6710**